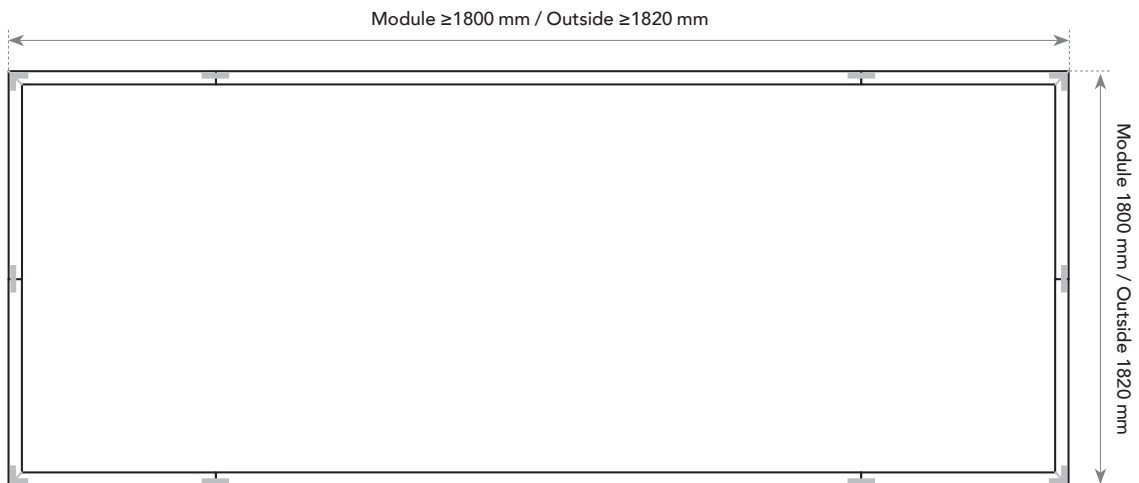


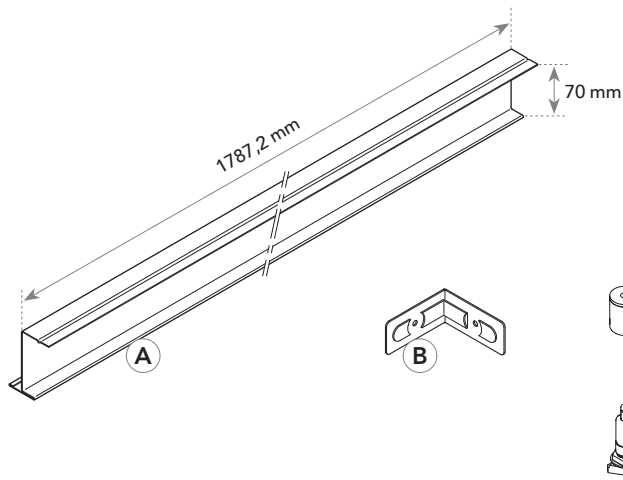
DZNL/A24-EDGE | TILE DIMENSION 1800 x 600 mm.

Rockfon® OneFrame

How to install an island – width 1820 mm and length ≥ 1820 mm.



System components

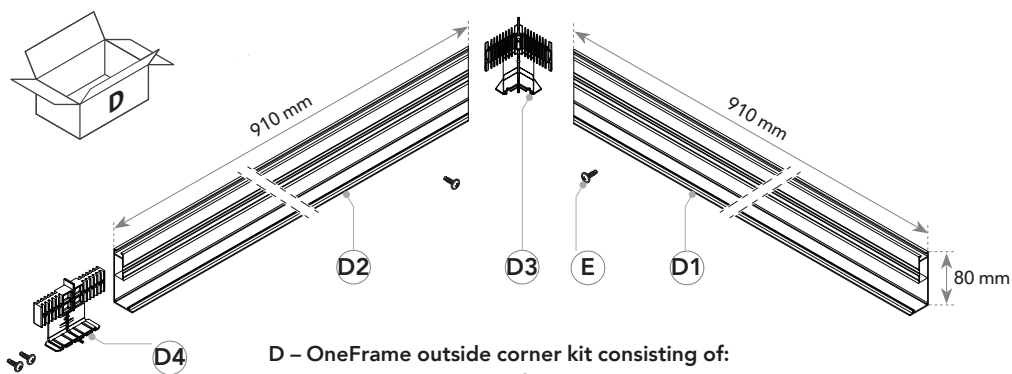


- A: Z-profile Z70
- B: Angle bracket
- C: OneFrame twisted wire suspension

ATTENTION

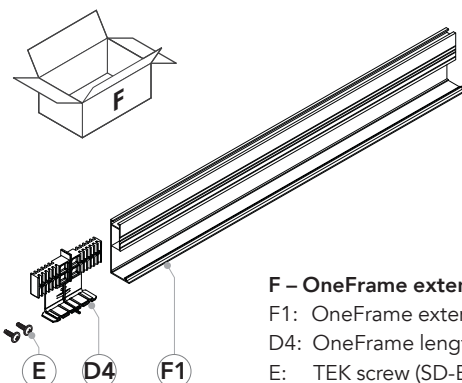


Ensure that the correct mounting fixings for the ceiling substrate are available. Ask your dealer for more information.



D – OneFrame outside corner kit consisting of:

- D1: OneFrame corner profile right (4x)
- D2: OneFrame corner profile left (4x)
- D3: OneFrame outside corner (4x)
- D4: OneFrame length connector (4x)
- E: TEK screw (SD-BH-ZP-4,2x13) (16x)



F – OneFrame extension kit consisting of:

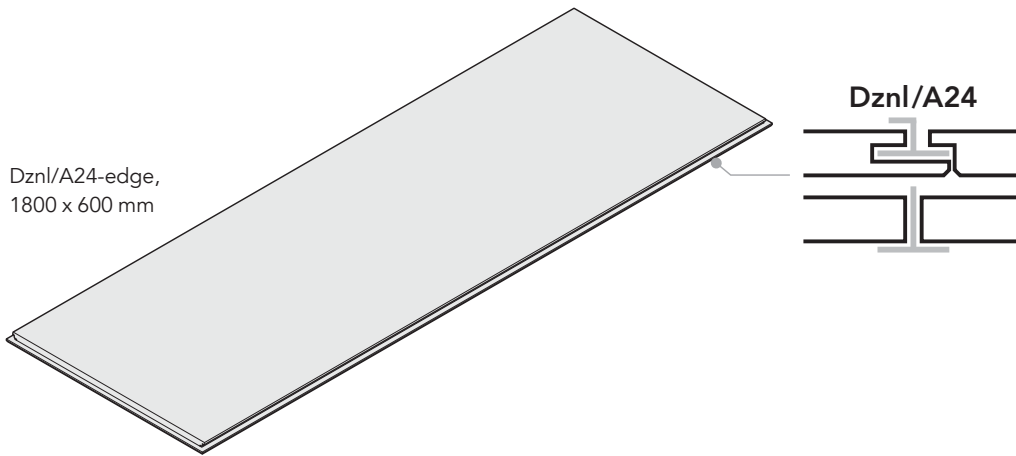
- F1: OneFrame extension profile (2x)
- D4: OneFrame length connector (2x)
- E: TEK screw (SD-BH-ZP-4,2x13) (4x)

ATTENTION













Possible dimensions 600, 1200, 1800, 2400, 3000 and 3600 mm

Compatible tile overview

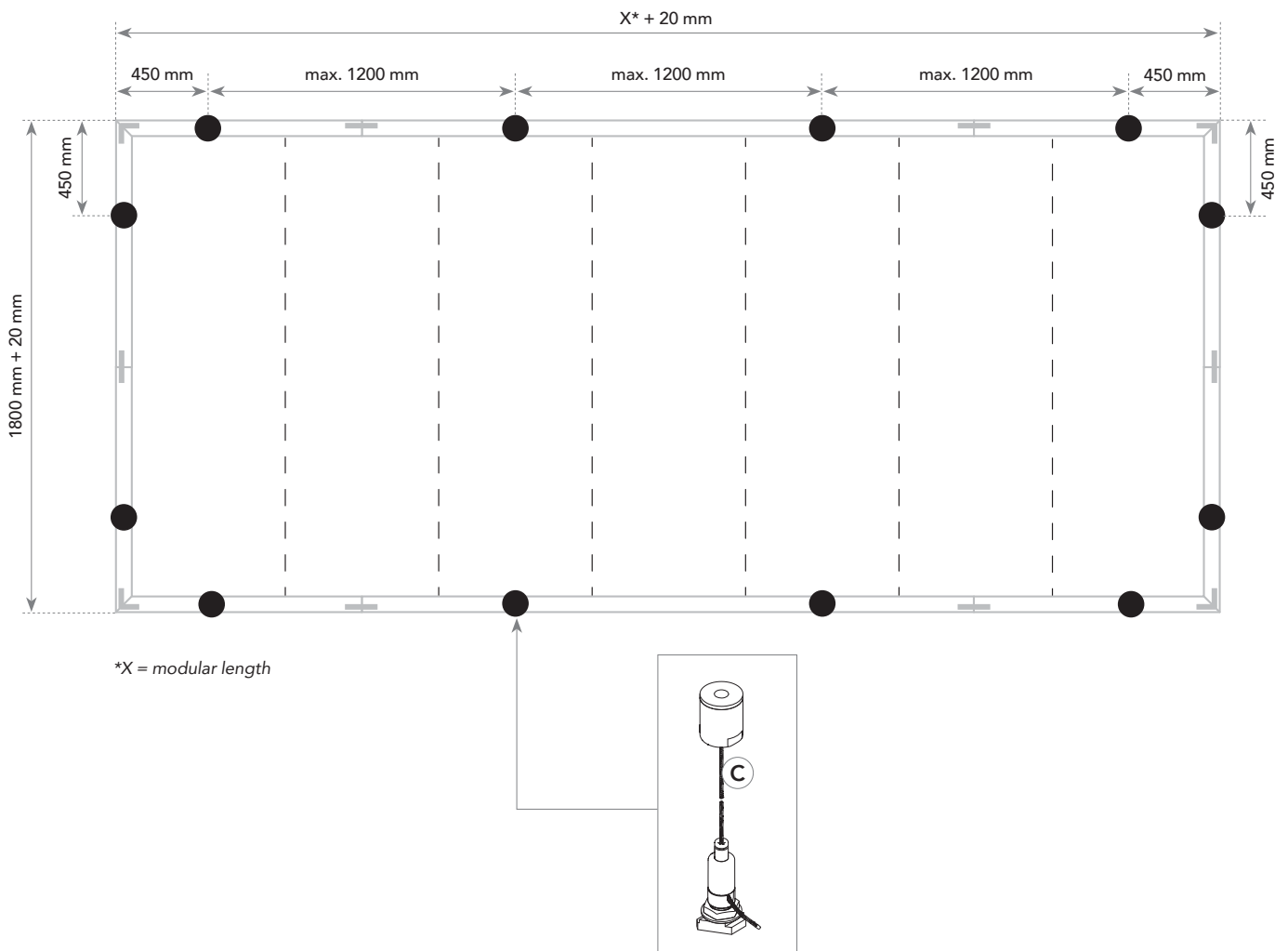


Installation

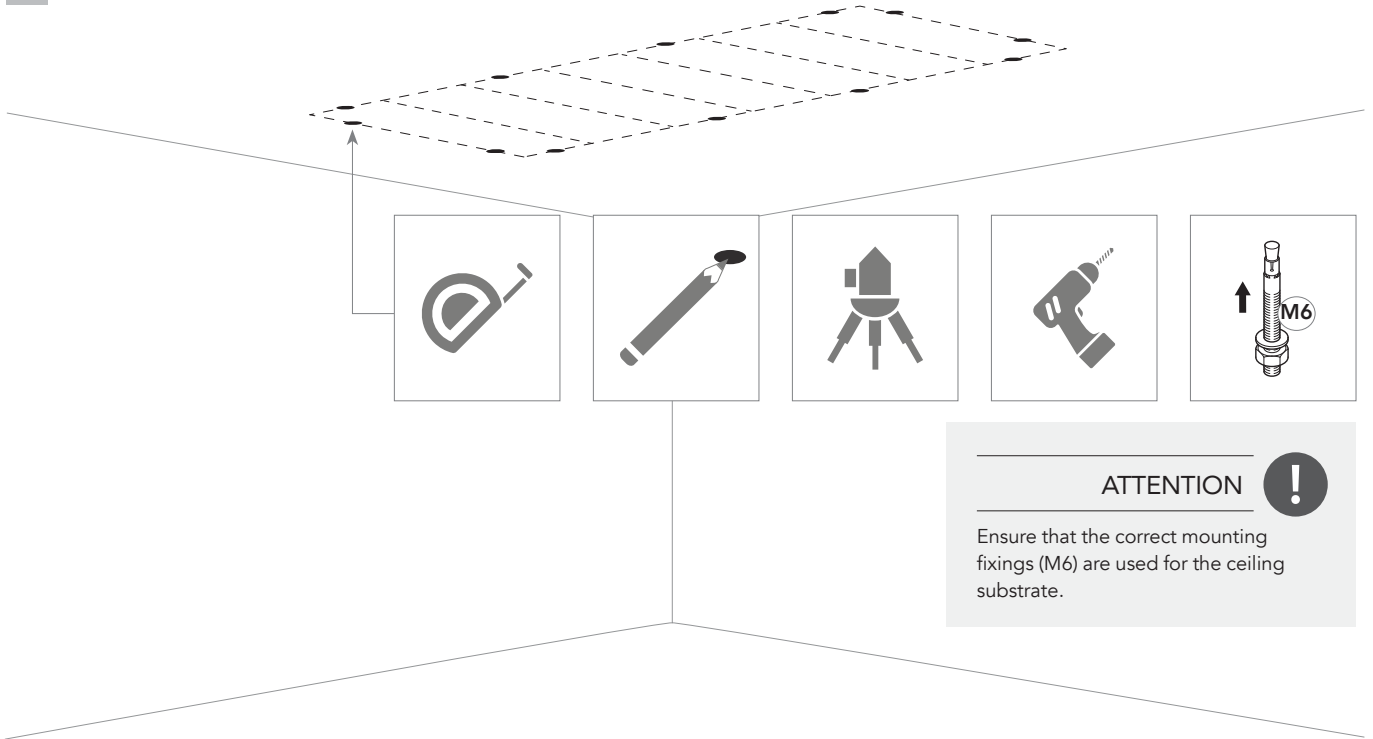
Tool List

Tools	Drill machine	Screw machine	Pencil	Ruler	Laser	Metal shears	Level	Side cutter	Gloves	Wrench
										

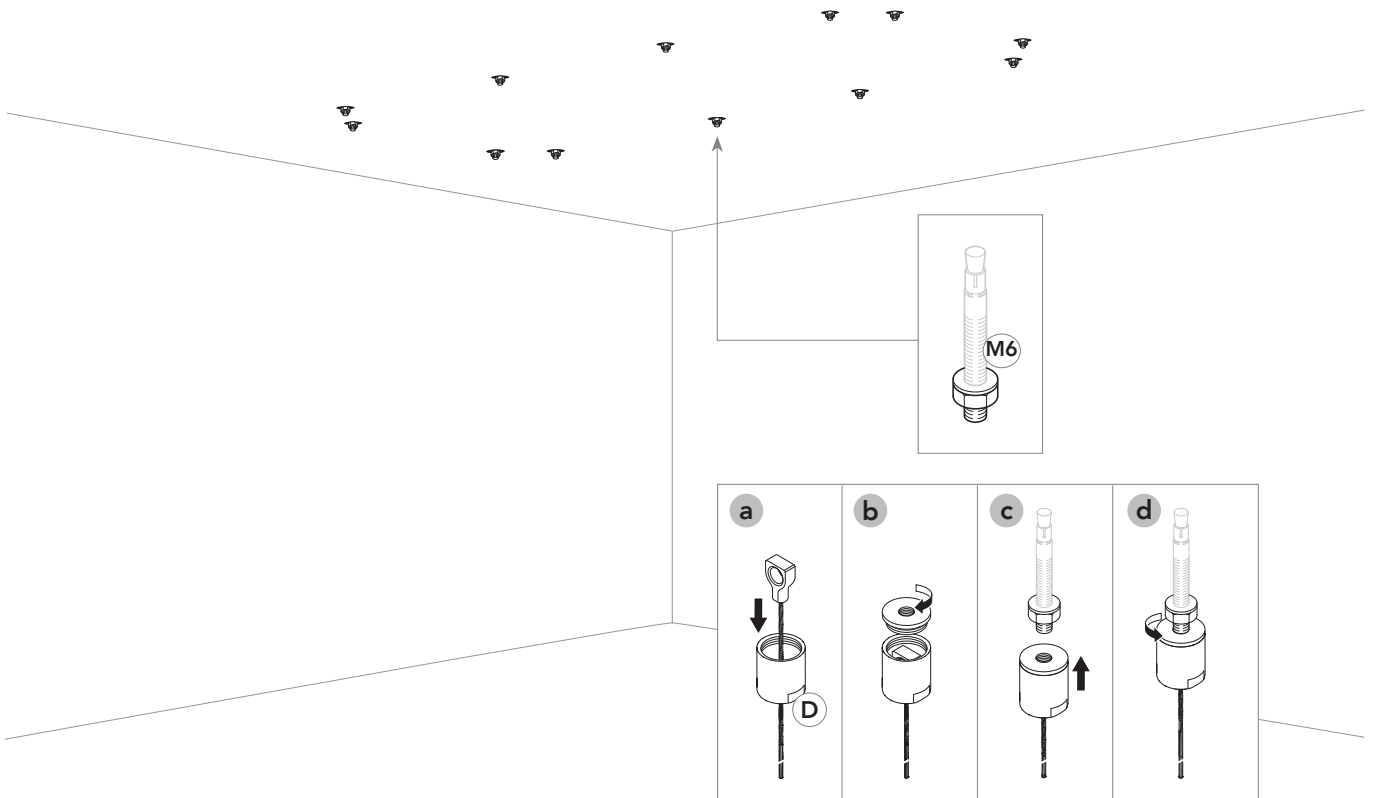
- 1 Define the grid layout incl. suspension points based on the dimensions of the OneFrame.



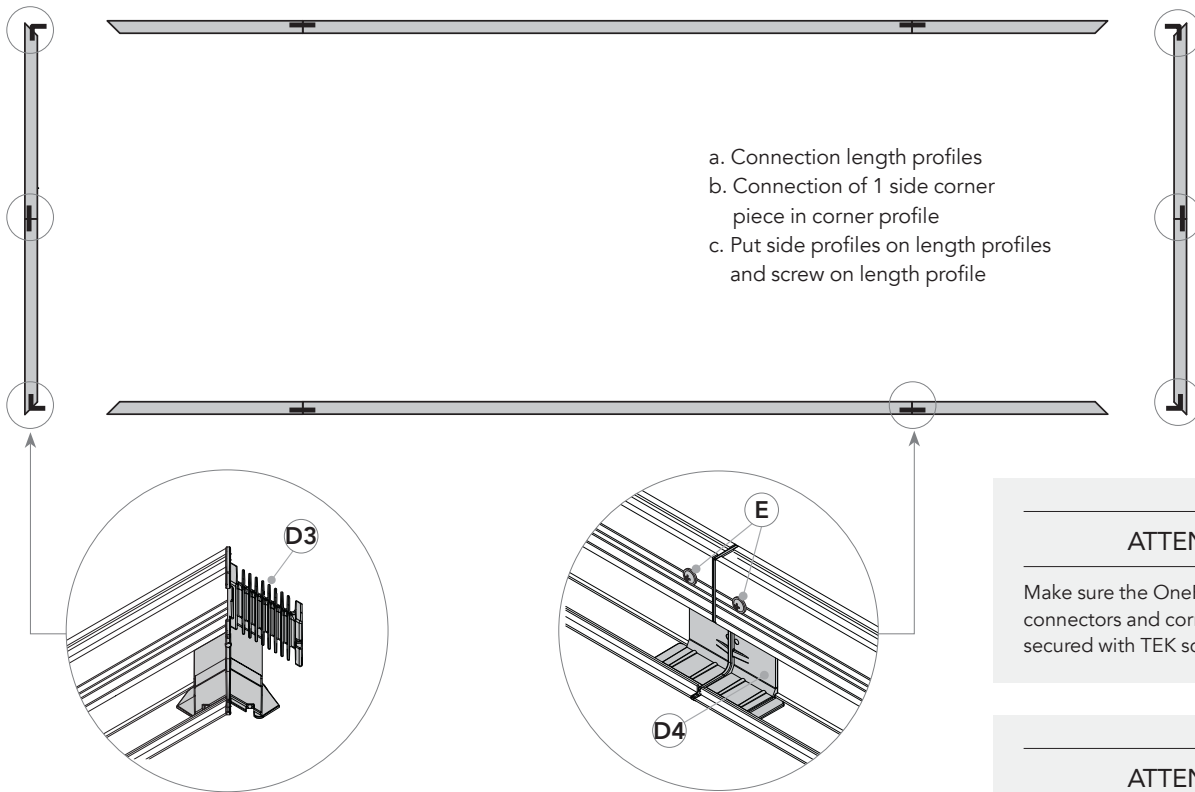
2 Mark and drill the suspension points in the soffit.



3 Suspend the OneFrame twisted wire suspension on the substrate fixings.



- 4** Connect and close the OneFrame Extension and corner profiles with the length connectors, corner pieces and TEK screws.



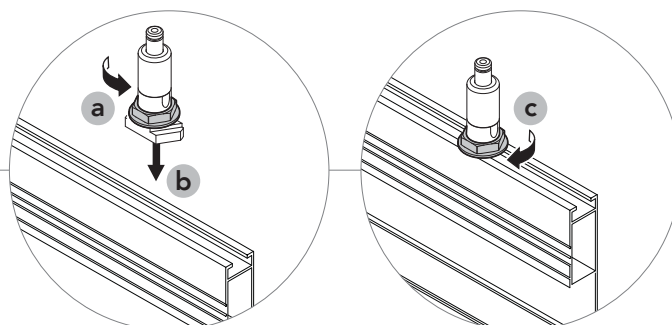
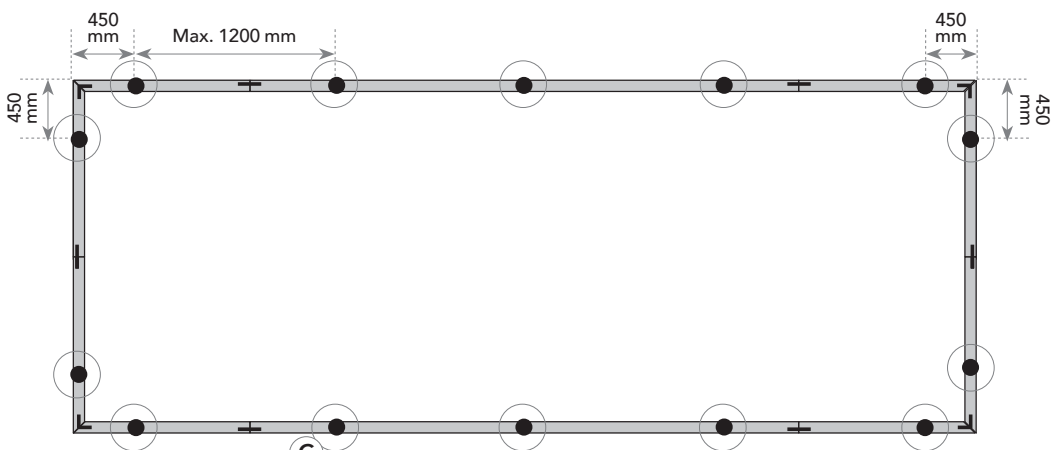
ATTENTION !

Make sure the OneFrame lengths connectors and corner pieces are secured with TEK screws.

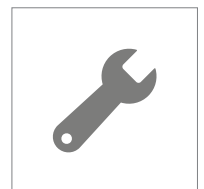
ATTENTION !

Corner pieces should already be screw fastened with one TEK screw before closing the frame and screw fastening the other side of the corner

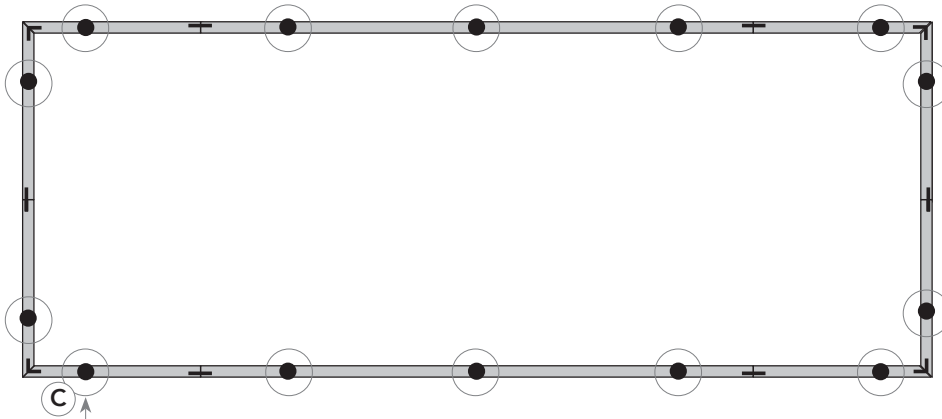
- 5** Install OneFrame twisted wire suspension.



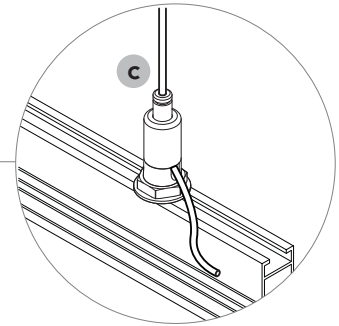
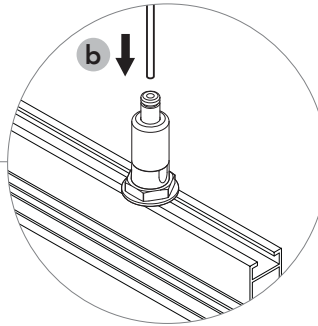
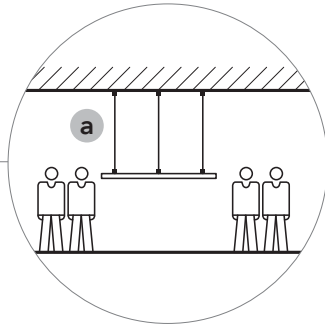
- a. Put twisted OneFrame twisted wire suspension into the OneFrame.
 b. Twist it 90°.
 c. Tighten the lock nut to secure the connection.



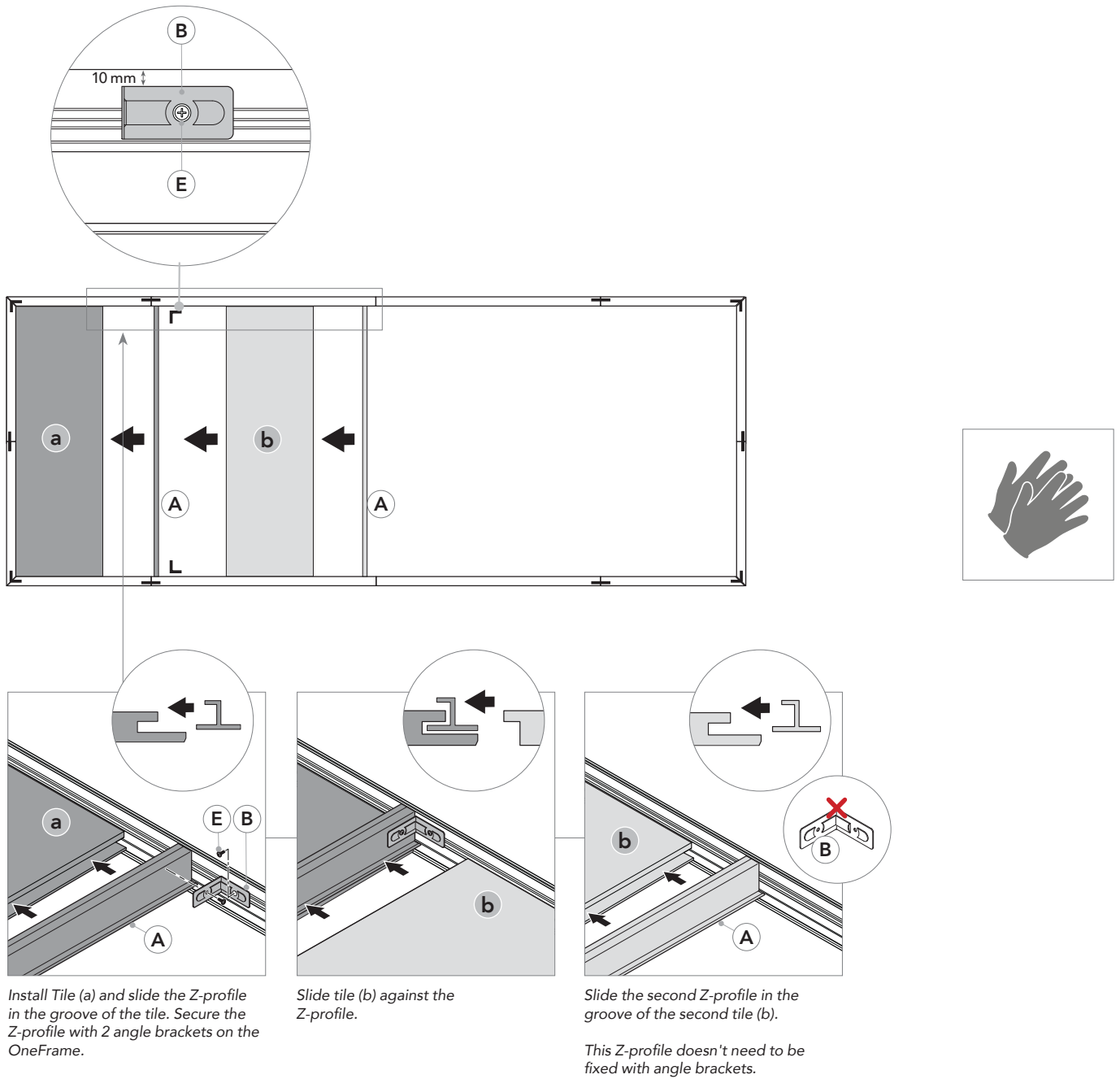
6 Lift OneFrame up to eye level.



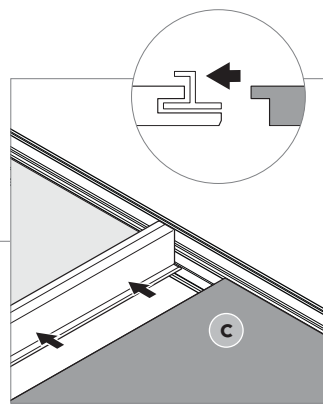
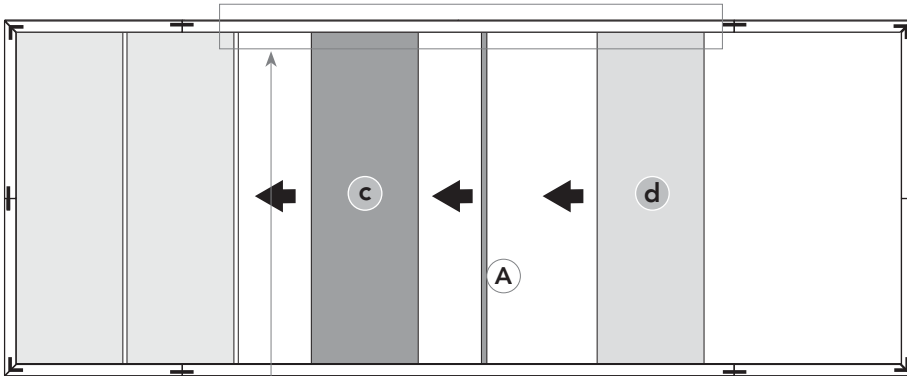
- a. Lift OneFrame with minimal 4 people up to eye level.
- b. Feed the wire through the OneFrame twisted wire suspension.
- c. The wires will be locked automatically.



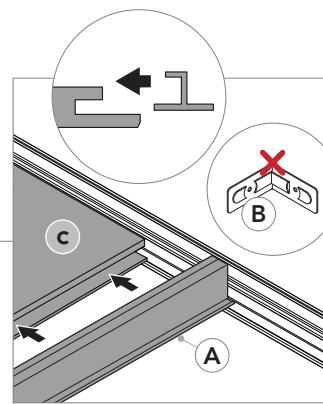
7 Install the tiles (a + b) and Z-profiles.



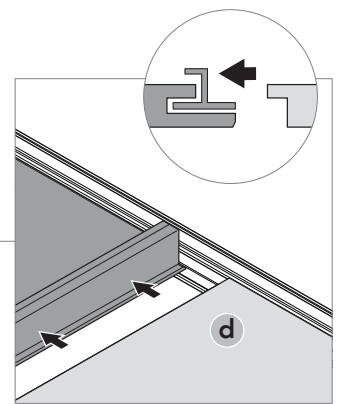
8 Install the tiles (c + d) and Z-profiles.



Place tile (c) and slide the tile against the Z-profile. This Z-profile doesn't need to be fixed with angle brackets.

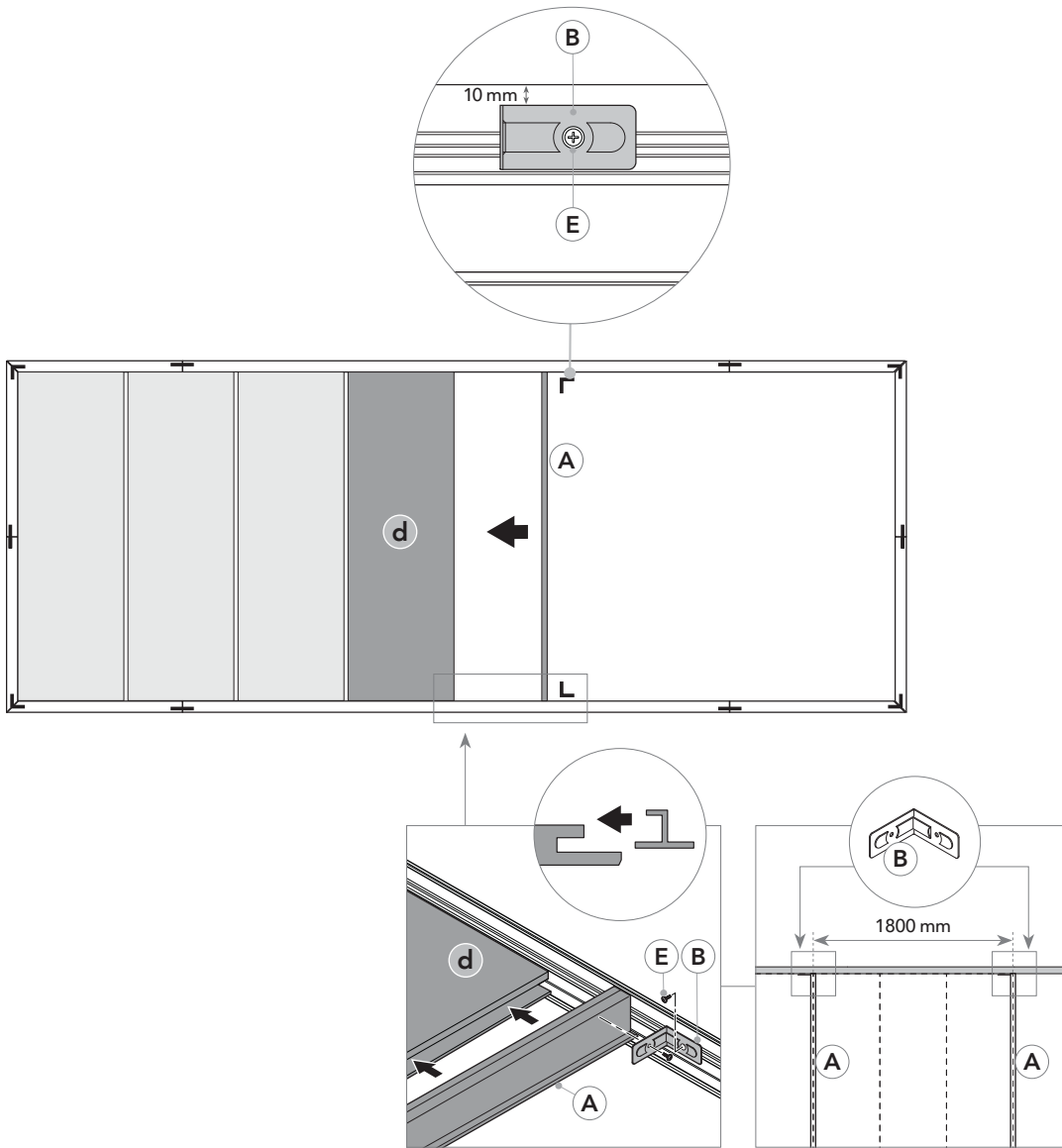


Install the Z-profile and slide the Z-profile in the groove of the tile. This Z-profile doesn't need to be fixed with angle brackets.



Place tile (d) and slide the tile against the Z-profile.

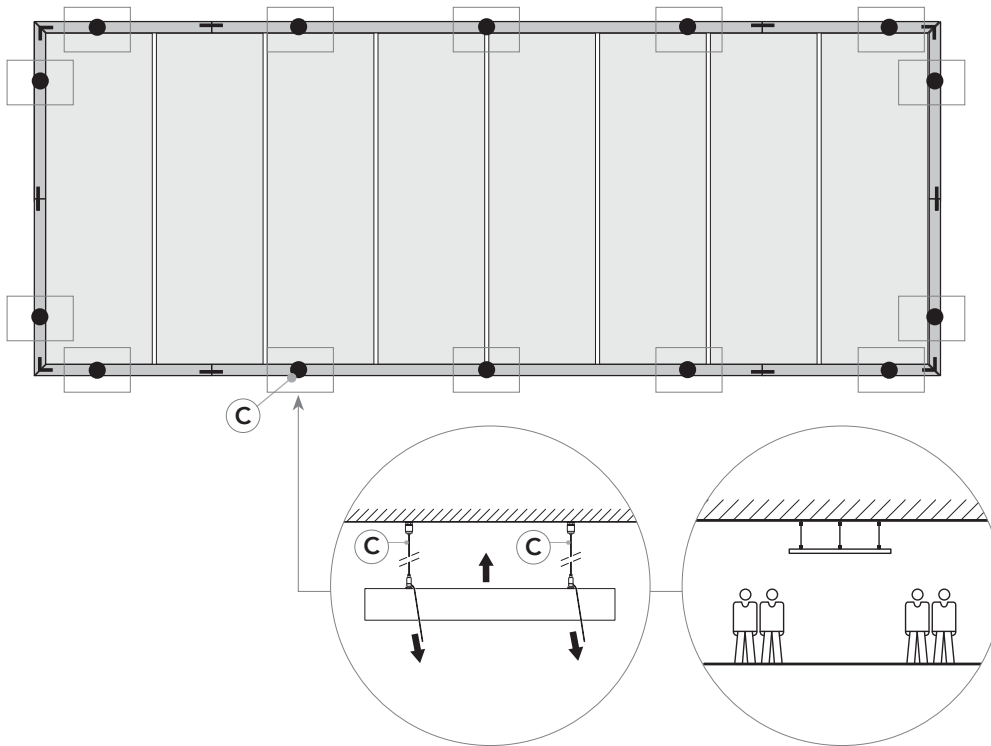
9 Install all tiles and Z-profiles.



Install the Z-profile and slide the Z-profile in the groove of the tile. Secure the Z-profile with 2 angle brackets on the OneFrame.

Continue placing tiles and Z-profiles. Each 3rd Z-profile needs to be secured on the OneFrame with 2 angle brackets (each 1800 mm).

10 Lift OneFrame to the intended height.



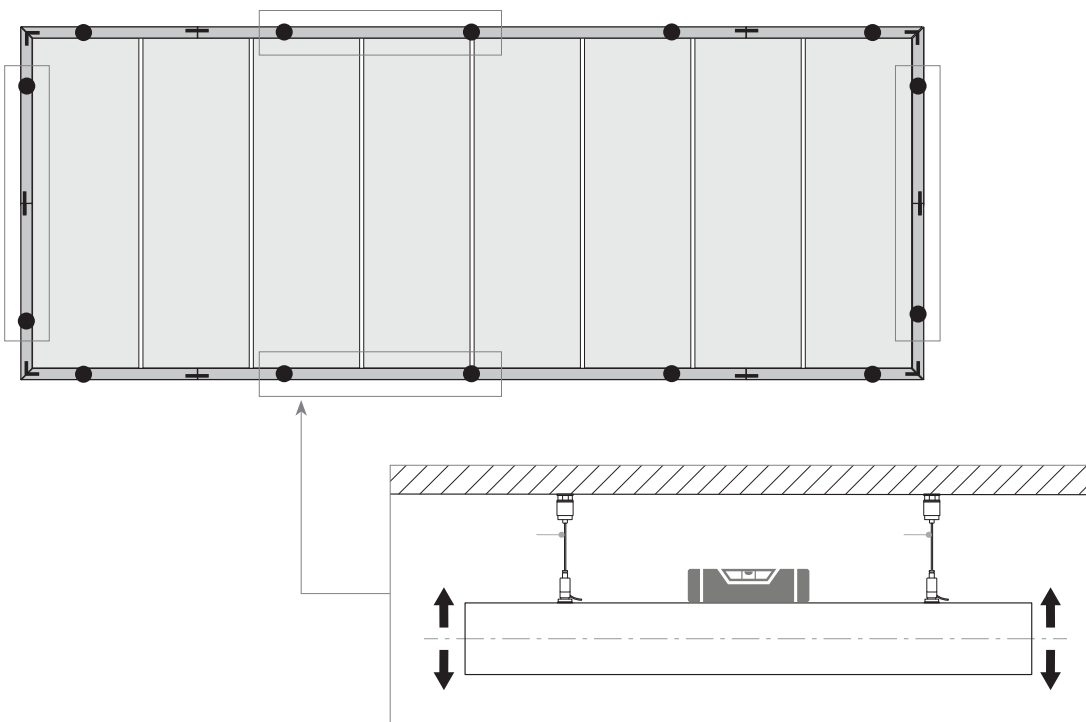
Hang the OneFrame with 4 persons step by step at the intended height.

ATTENTION



Min. installation depth 140 mm.

11 Check the frame with a level.



Sounds Beautiful

