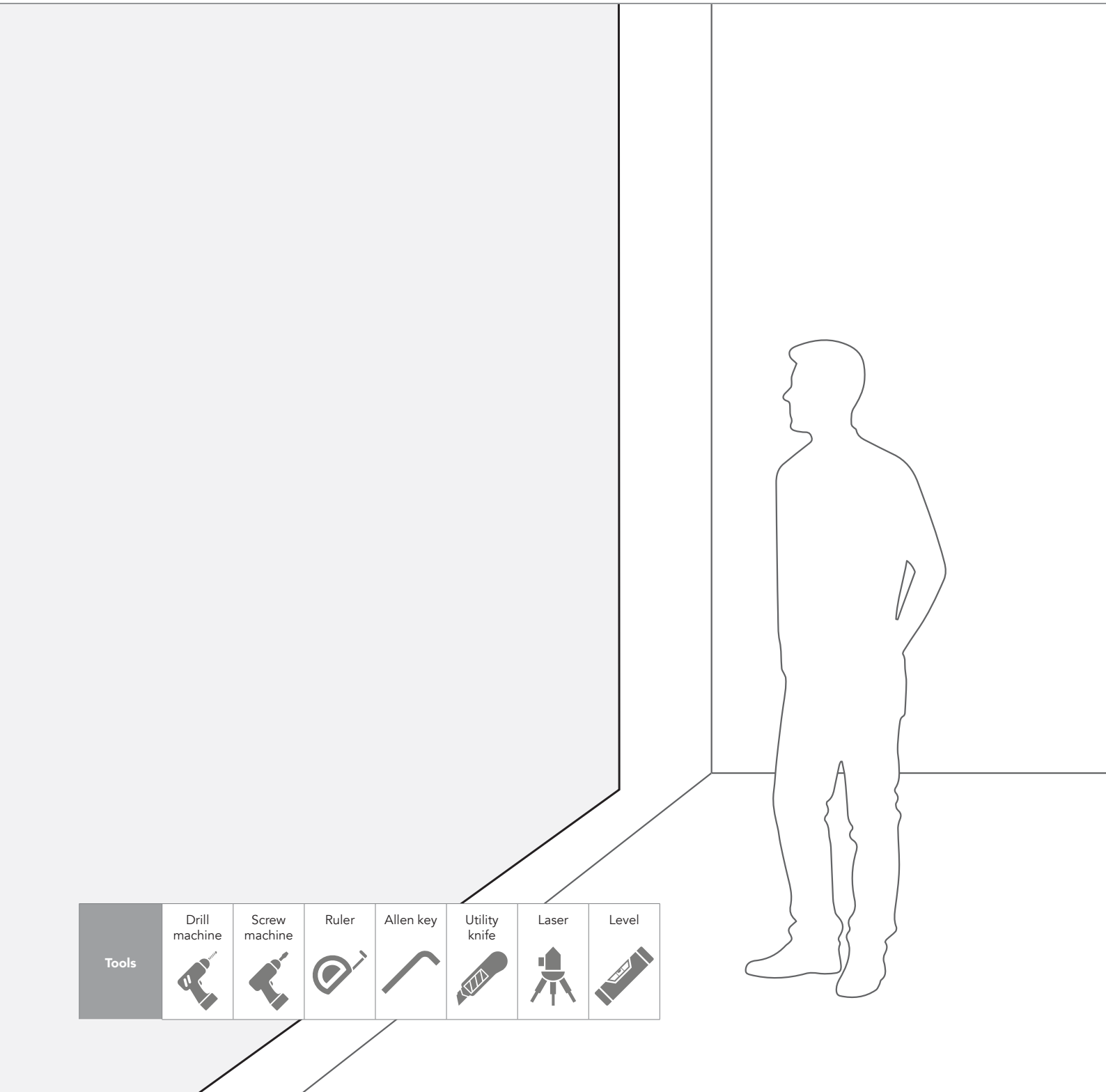






INSTALLATION GUIDE | OVERSIZE PANEL

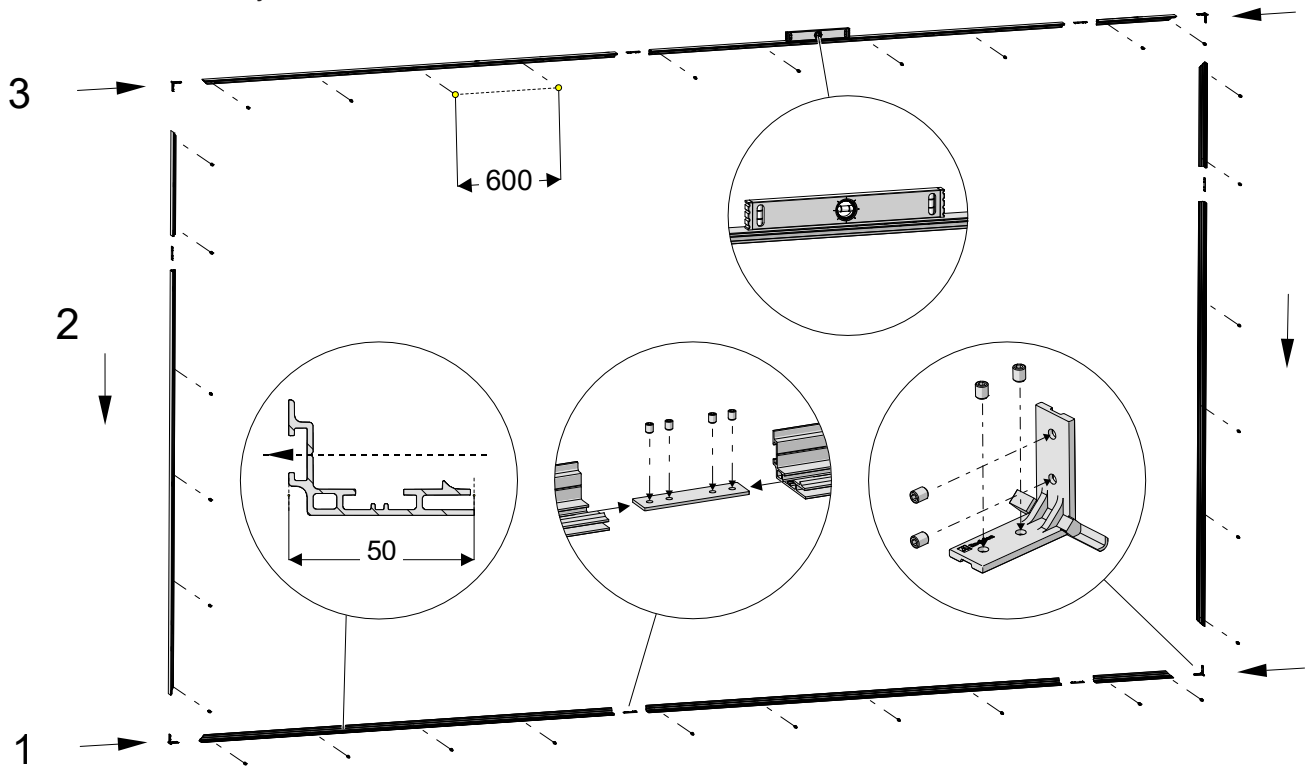
Rockfon Canva® Wall panel



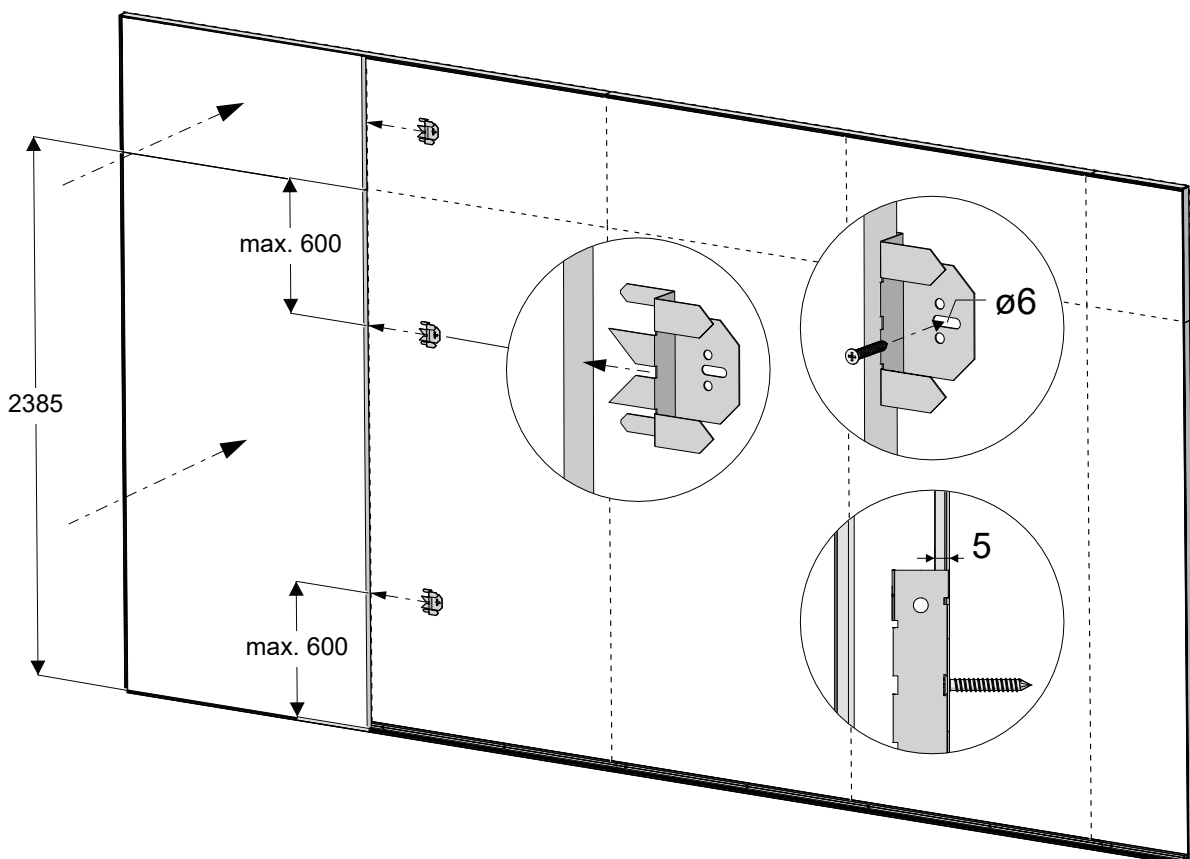
Tools	Drill machine	Screw machine	Ruler	Allen key	Utility knife	Laser	Level
							

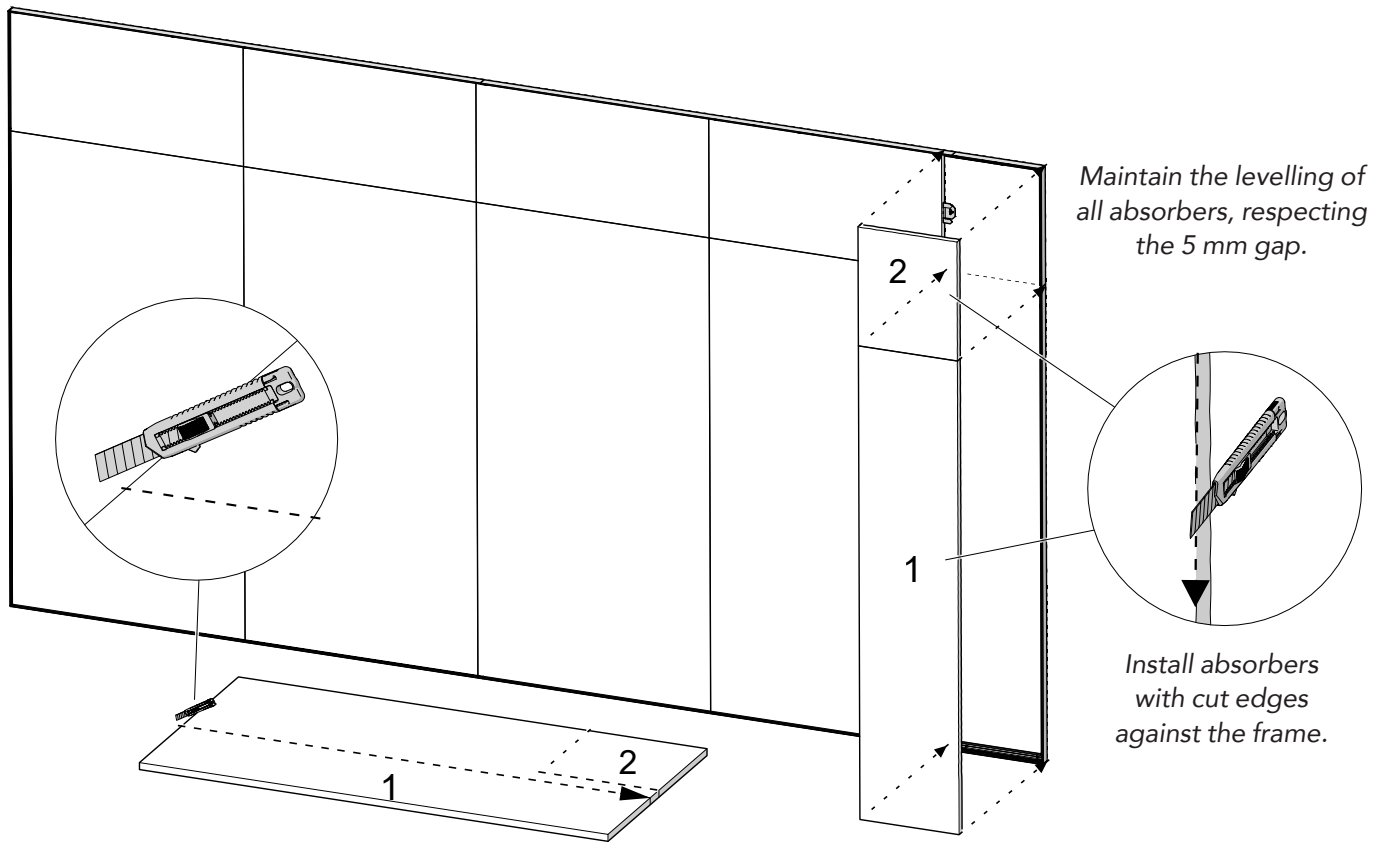
Installation (4 steps in total)

- 1 Drill screw holes in the profiles and secure them to the wall. Use an allen key to connect the frames and corners.



- 2 Insert the first absorber. Slide the connectors into the vertical side of the absorber, ensuring a 5 mm air gap, and drill them into the wall.





3 Place the absorbers firmly within the frame.

4 Attach the canvas.

