

INSTALLATION GUIDE

Rockfon Canva[®] Island



Statement Design
Flawless Acoustics

- Beautiful design and brilliant acoustics
- Detachable canvas for easy cleaning and unlimited design options without replacing the frame and panel
- Quick to install

Sounds Beautiful

Description

Rockfon Canva Island is a free hanging acoustic panel suspended with wires from the ceiling. They arrive fully assembled, and are a safe, flexible, durable and modern solution that can be custom-designed to fit any space or location.

The product includes a 40 mm stone wool absorber with a 61 mm powder coated matte aluminum frame. The front is covered with a printed, detachable and replaceable stretch textile canvas available in a multitude of colour and graphic options.

Restrictions

We recommend not to use Rockfon Canva Island in high humidity areas like swimming pools or outside environments. We advise a min. gap of 50 mm should be maintained between the edges of two Rockfon Canva Island; they should not touch each other.



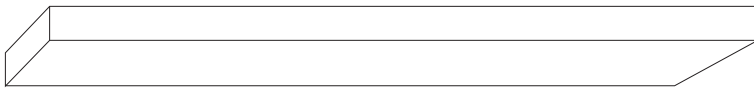
Printed, detachable and replaceable stretch textile canvas.



The handtag should always be positioned on the same side if multiple are installed in the ceiling.

System components

Panel



Components

1. Design wire set (top)
L = 1500 mm



Tool List

| Tools | Drill machine | Screw machine | Wire cutter | Level | Laser (optional) | Wrench |
|-------|---------------|---------------|-------------|-------|------------------|--------|
| | | | | | | |

Performance



System load bearing capacity

The maximum additional load on a canva island is 5 kg per island provided that four suspension points are used correctly, and an appropriate yoke is used to spread the load to the frame.



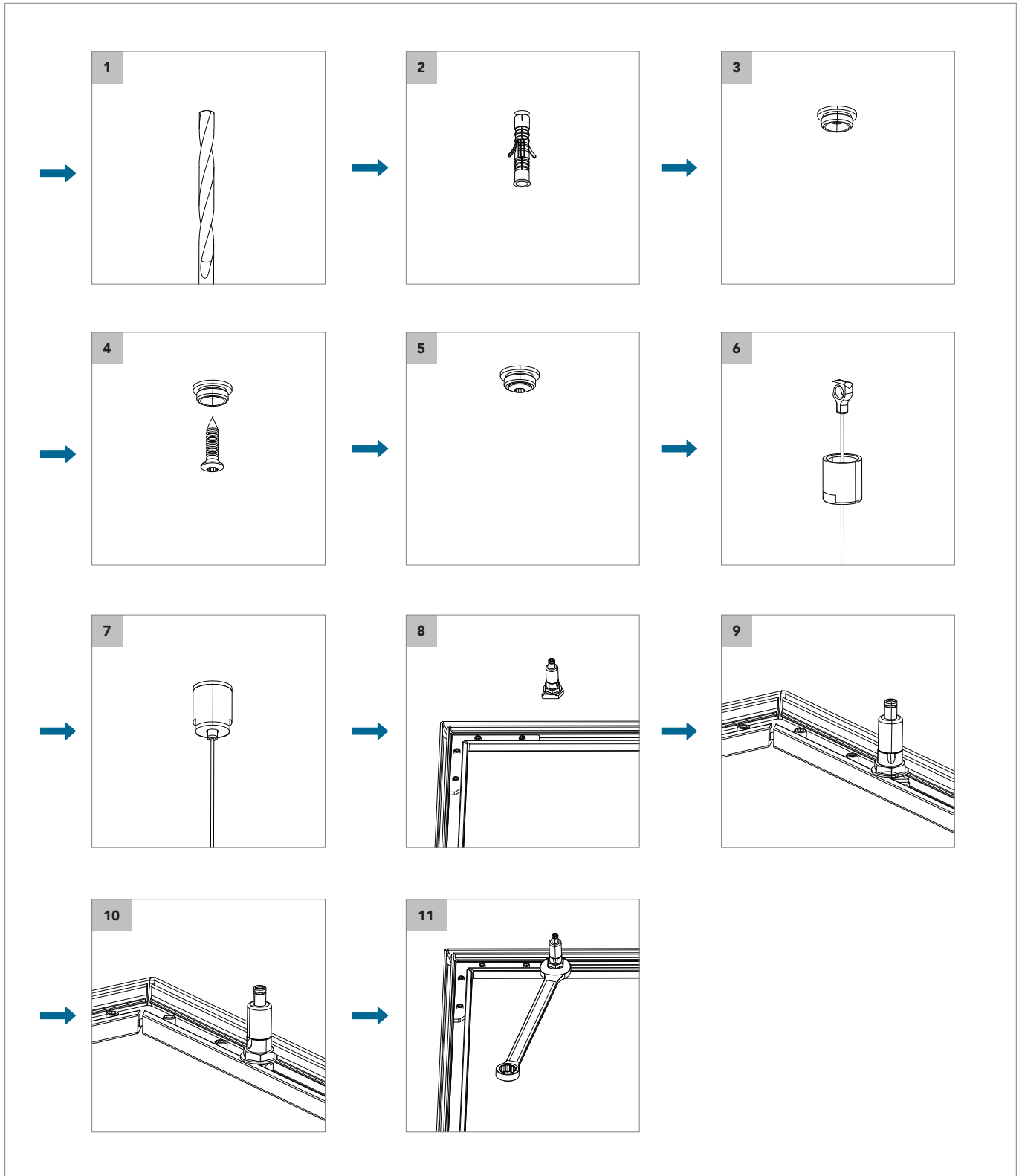
Corrosion resistance

Due to the risk of corrosion, the suspension accessories of Rockfon System Canva Island should not be used in swimming pools or outdoor environments.

Installation

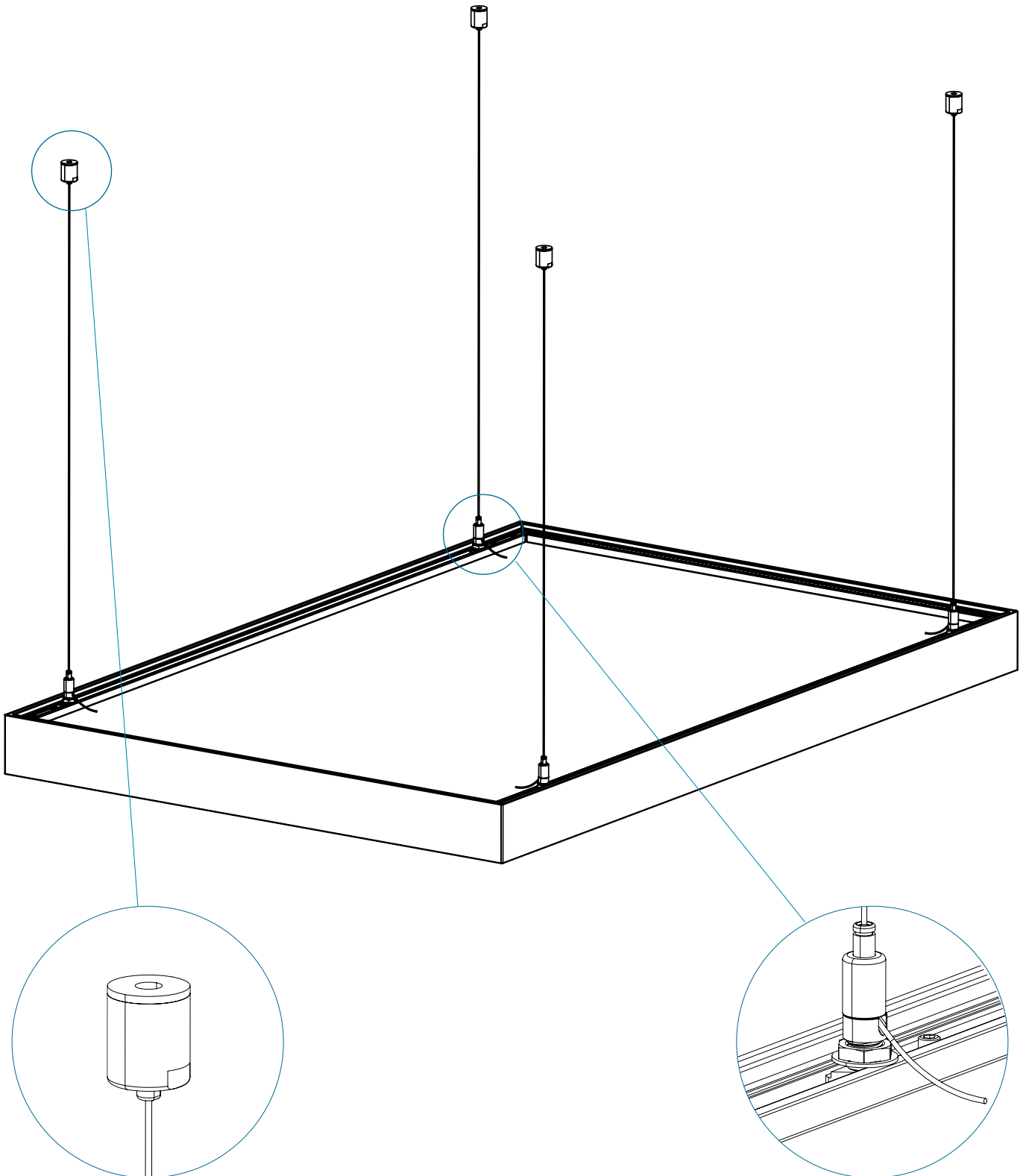
Assembly of top wires and ceiling mounts

Attach the Design wire set (top) to the ceiling as illustrated below.



Assembly of bottom wires and floor mounts

Attach the Design wire set (bottom) to the floor as illustrated below.



Care and maintenance

To ensure optimal performance and appearance of your Rockfon Canva panels, regular cleaning of the surface is an important step. The acoustic detachable canvas is naturally resistant to moisture, which inhibits the growth of microorganisms without any additional treatments.

Cleaning

Dusting / Vacuuming:

Needs to be done on a regular basis to hinder the accumulation of dust and dirt on both frame and canvas fabric. Use a soft brush when dusting/vacuuming as it will treat the panels more gently.

Cleaning with soap and water:

Use liquid soap or a similar universal cleaning product in warm water. Wipe down with a clean cloth or a clean soft sponge. Squeeze the cloth or sponge out well in order to not over wet the acoustic panels.

Machine wash:

Remove the canvas fabric by pulling the Rockfon handtag in the bottom right corner until it comes loose from the frame. The canvas supports frequent machine wash up to 70 degrees celsius. Make sure that the canvas is dry when mounted again.

Stain removal:

In case of stains on your acoustic panels, we recommend to react to them as quickly as possible. Try to soak up any excess liquid before it has time to soak in and dry out in the canvas fabric or the underlying acoustic base material. Proceed with the above mentioned guidelines for cleaning with water and soap for finalizing stain removal. If cleaning with water and soap does not remove the stain completely, then remove the canvas and machine wash it.

Disinfection

Ethanol / Alcohol:

Ethanol / alcohol-based disinfectants can be used without damaging the canvas fabric nor the print. Concentration should be between 70-85%. Always follow the specific manufacturer's instructions.

Antibacterial spray / wipes:

Antibacterial wipes or spray and wipe can be used to disinfect the acoustic panels without damaging the canvas fabric nor the print. Always follow the specific manufacturer's instructions.

Steam cleaning:

Steam cleaning can be used to disinfect your Rockfon Canva panels without the use of chemicals. Always follow instructions and safety guidelines.

Additional features

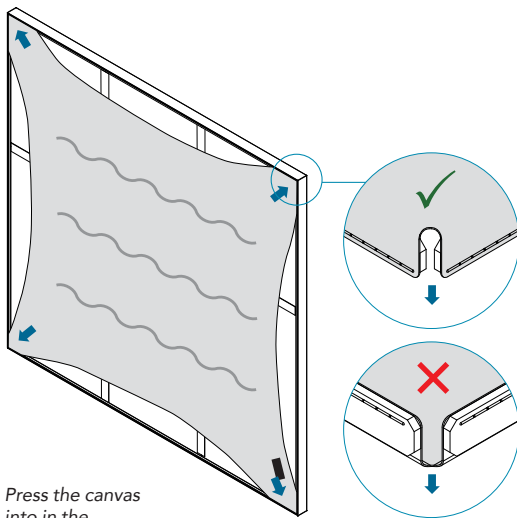
Detach and replace canvas

Remove the canvas fabric by pulling the Rockfon handtag in the bottom right corner until it comes loose from the frame.

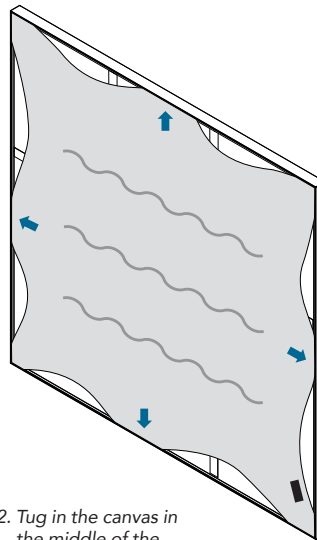
Ordering a new canvas

Update the message, mood and energy in the room by refreshing your Canva surface. Contact your Rockfon partner to order a new canvas.

Remount the canvas

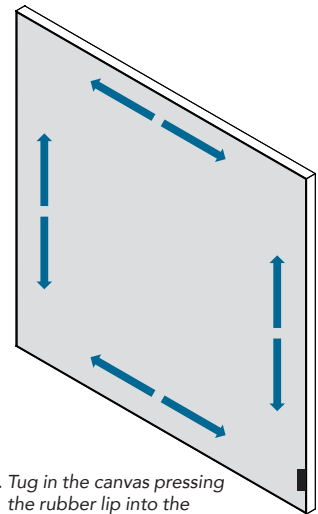


1. Press the canvas into in the groove in the frame corners.



2. Tug in the canvas in the middle of the frame groove to avoid accumulating fabric as you work your way around the frame.

Never stretch the rubber lip.

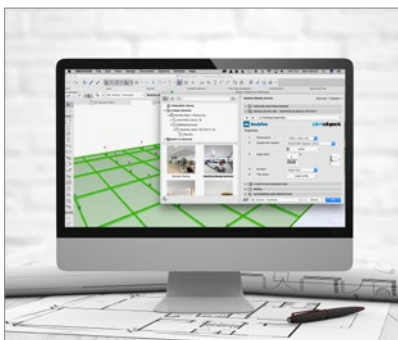


3. Tug in the canvas pressing the rubber lip into the groove up, down and side to side. Work section by section for an even distribution of tension over the canvas without creases or wrinkles.

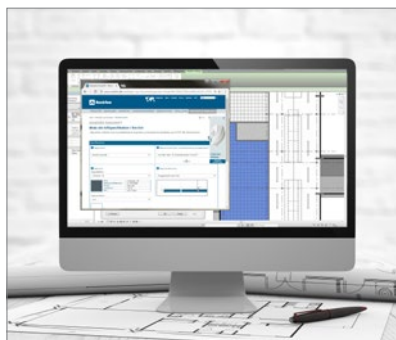
Tip: Use a plastic card as a tool to secure the rubber lips competently into the groove, eliminating the last small creases.

Tools

Rockfon has developed specific tools that are available on cee.rockfon.international



Visit our online CAD Library or BIM portal to assist you in your project design.



Generate specification texts for our products on our website.



Explore our vast library of reference projects on our website.

Sounds Beautiful

